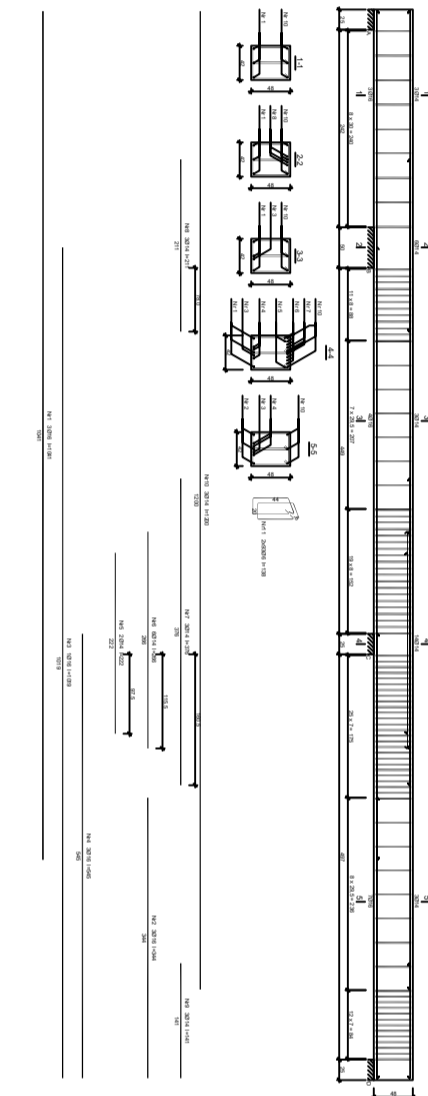


Beam: S20 (C20/25)
S20 S20.8
Clear: 19.0-19.5 mm

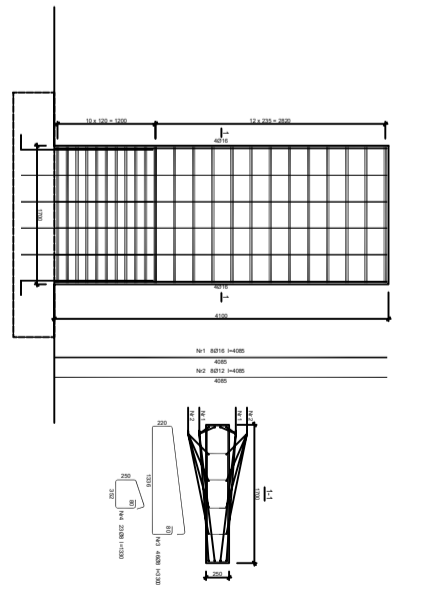
h	h _{ef}	h ₀	h ₁	h ₂	h ₃	h ₄	h ₅	h ₆	h ₇	h ₈	h ₉	h ₁₀	h ₁₁	h ₁₂	h ₁₃	h ₁₄	h ₁₅	h ₁₆	h ₁₇	h ₁₈	h ₁₉	h ₂₀	h ₂₁	h ₂₂	h ₂₃	h ₂₄	h ₂₅	h ₂₆	h ₂₇	h ₂₈	h ₂₉	h ₃₀	h ₃₁	h ₃₂	h ₃₃	h ₃₄	h ₃₅	h ₃₆	h ₃₇	h ₃₈	h ₃₉	h ₄₀	h ₄₁	h ₄₂	h ₄₃	h ₄₄	h ₄₅	h ₄₆	h ₄₇	h ₄₈	h ₄₉	h ₅₀
1	2	3	4	5	6	7	8	9	10	11	12	13	14	15	16	17	18	19	20	21	22	23	24	25	26	27	28	29	30	31	32	33	34	35	36	37	38	39	40	41	42	43	44	45	46	47	48	49	50			

Notes: h_{ef} = effective depth; h₀ = total height; h_i = height of individual layer.



Beam: S20 (C20/25)
S20 S20.8
Clear: 19.0-19.5 mm

h	h _{ef}	h ₀	h ₁	h ₂	h ₃	h ₄	h ₅	h ₆	h ₇	h ₈	h ₉	h ₁₀	h ₁₁	h ₁₂	h ₁₃	h ₁₄	h ₁₅	h ₁₆	h ₁₇	h ₁₈	h ₁₉	h ₂₀	h ₂₁	h ₂₂	h ₂₃	h ₂₄	h ₂₅	h ₂₆	h ₂₇	h ₂₈	h ₂₉	h ₃₀	h ₃₁	h ₃₂	h ₃₃	h ₃₄	h ₃₅	h ₃₆	h ₃₇	h ₃₈	h ₃₉	h ₄₀	h ₄₁	h ₄₂	h ₄₃	h ₄₄	h ₄₅	h ₄₆	h ₄₇	h ₄₈	h ₄₉	h ₅₀
1	2	3	4	5	6	7	8	9	10	11	12	13	14	15	16	17	18	19	20	21	22	23	24	25	26	27	28	29	30	31	32	33	34	35	36	37	38	39	40	41	42	43	44	45	46	47	48	49	50			

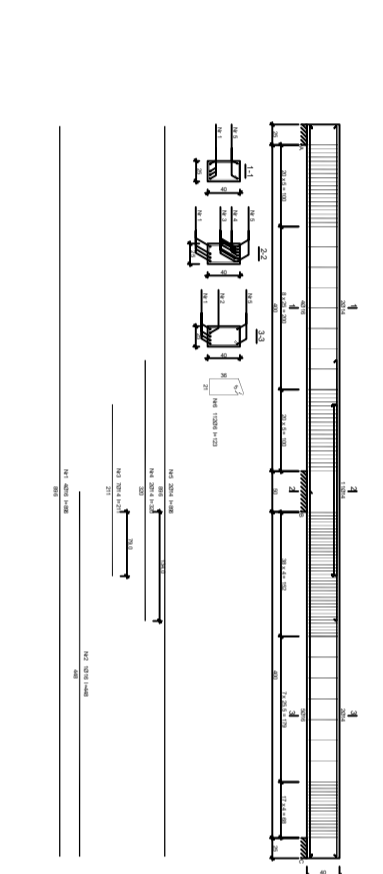


Beam: S20 (C20/25)
S20 S20.8
Clear: 19.0-19.5 mm

h	h _{ef}	h ₀	h ₁	h ₂	h ₃	h ₄	h ₅	h ₆	h ₇	h ₈	h ₉	h ₁₀	h ₁₁	h ₁₂	h ₁₃	h ₁₄	h ₁₅	h ₁₆	h ₁₇	h ₁₈	h ₁₉	h ₂₀	h ₂₁	h ₂₂	h ₂₃	h ₂₄	h ₂₅	h ₂₆	h ₂₇	h ₂₈	h ₂₉	h ₃₀	h ₃₁	h ₃₂	h ₃₃	h ₃₄	h ₃₅	h ₃₆	h ₃₇	h ₃₈	h ₃₉	h ₄₀	h ₄₁	h ₄₂	h ₄₃	h ₄₄	h ₄₅	h ₄₆	h ₄₇	h ₄₈	h ₄₉	h ₅₀
1	2	3	4	5	6	7	8	9	10	11	12	13	14	15	16	17	18	19	20	21	22	23	24	25	26	27	28	29	30	31	32	33	34	35	36	37	38	39	40	41	42	43	44	45	46	47	48	49	50			

Beam: S20 (C20/25)
S20 S20.8
Clear: 19.0-19.5 mm

h	h _{ef}	h ₀	h ₁	h ₂	h ₃	h ₄	h ₅	h ₆	h ₇	h ₈	h ₉	h ₁₀	h ₁₁	h ₁₂	h ₁₃	h ₁₄	h ₁₅	h ₁₆	h ₁₇	h ₁₈	h ₁₉	h ₂₀	h ₂₁	h ₂₂	h ₂₃	h ₂₄	h ₂₅	h ₂₆	h ₂₇	h ₂₈	h ₂₉	h ₃₀	h ₃₁	h ₃₂	h ₃₃	h ₃₄	h ₃₅	h ₃₆	h ₃₇	h ₃₈	h ₃₉	h ₄₀	h ₄₁	h ₄₂	h ₄₃	h ₄₄	h ₄₅	h ₄₆	h ₄₇	h ₄₈	h ₄₉	h ₅₀
1	2	3	4	5	6	7	8	9	10	11	12	13	14	15	16	17	18	19	20	21	22	23	24	25	26	27	28	29	30	31	32	33	34	35	36	37	38	39	40	41	42	43	44	45	46	47	48	49	50			



Beam: S20 (C20/25)
S20 S20.8
Clear: 19.0-19.5 mm

h	h _{ef}	h ₀	h ₁	h ₂	h ₃	h ₄	h ₅	h ₆	h ₇	h ₈	h ₉	h ₁₀	h ₁₁	h ₁₂	h ₁₃	h ₁₄	h ₁₅	h ₁₆	h ₁₇	h ₁₈	h ₁₉	h ₂₀	h ₂₁	h ₂₂	h ₂₃	h ₂₄	h ₂₅	h ₂₆	h ₂₇	h ₂₈	h ₂₉	h ₃₀	h ₃₁	h ₃₂	h ₃₃	h ₃₄	h ₃₅	h ₃₆	h ₃₇	h ₃₈	h ₃₉	h ₄₀	h ₄₁	h ₄₂	h ₄₃	h ₄₄	h ₄₅	h ₄₆	h ₄₇	h ₄₈	h ₄₉	h ₅₀
1	2	3	4	5	6	7	8	9	10	11	12	13	14	15	16	17	18	19	20	21	22	23	24	25	26	27	28	29	30	31	32	33	34	35	36	37	38	39	40	41	42	43	44	45	46	47	48	49	50			